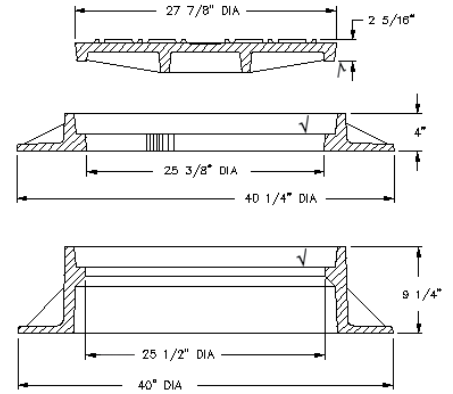


3761 FRAME & COVER

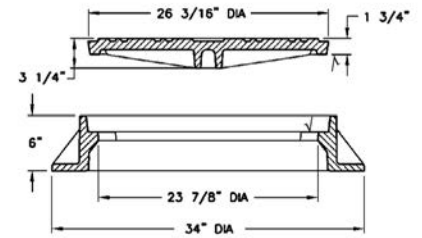
Heavy duty
Machined bearing surfaces
4" and 9" height frames



3767 FRAME & COVER

Heavy duty
Machined bearing surfaces
Ductile iron covers

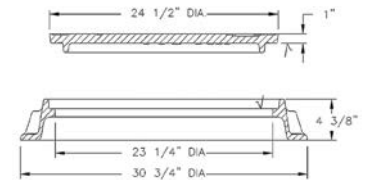
Options
Special lettered covers
Watertite assembly
Adjusting risers



3770 FRAME & COVER

Heavy duty
Machined bearing surfaces

Options
Ductile iron grates



Type M Grate
Approx. 153 sq. in.
open area

Supplied By:



877-903-7246

www.trenchdrainsupply.com